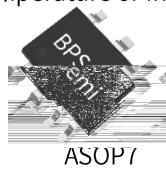


Description

BP2373XG is a non-isolated APFC buck LED driver, specially designed for universal mains with constant current control. BP2373XG operates in Critical Conduction Mode to reduce the switching loss and optimize the EMI.

BP2373XG removes the VCC capacitor, COMP capacitor and R_{CS} resistor to simplify the external BOM. And it utilizes a high precision internal feedback loop to ensure the output current accuracy and high efficiency.

BP2373XG offers full of protection functions to improve the system reliability, including LED load short protection. The system reliability is further improved by the thermal and input overvoltage regulation function. The driver is in condition of over temperature or input overvoltage.



Features

- Active-PFC for High PF and Low THD
- No VCC and COMP capacitor
- Integrated current sense resistor
- Integrated 800V rectifier bridge
- Integrated 650V anti-parallel recovery diode
- Critical Conduction Mode Operation
- LED Short Protection
- Cycle by Cycle Current Limit
- Thermal Regulation Function
- Input Overvoltage Regulation Function
- Available in ASOP7 Package
- LED Bulb
- LED Tube
- Other LED Lighting

Typical Application

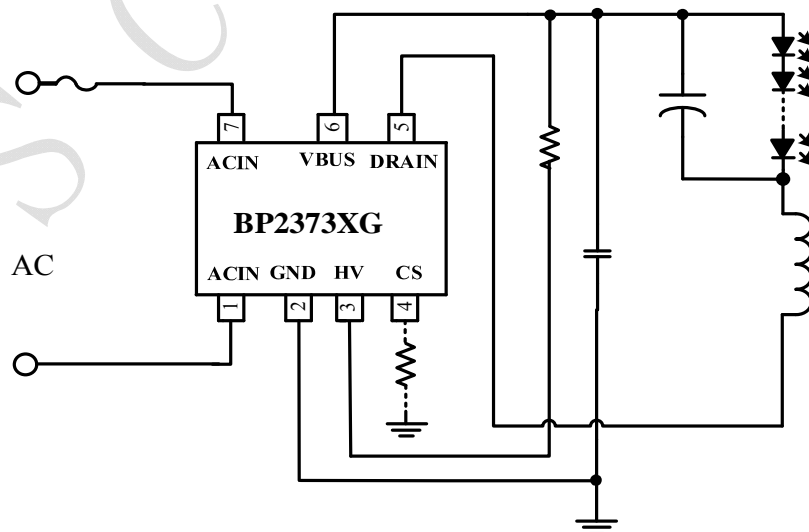


Figure 1 Typical application circuit for BP2373XG

BPS CONFIDE

BPS